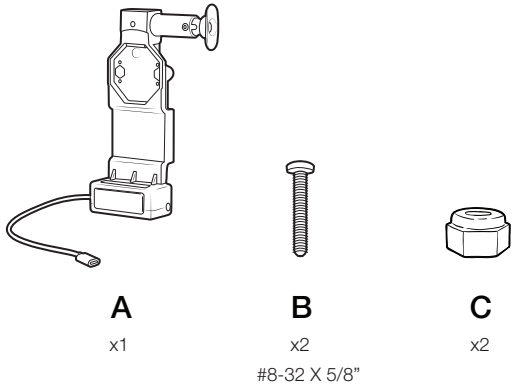
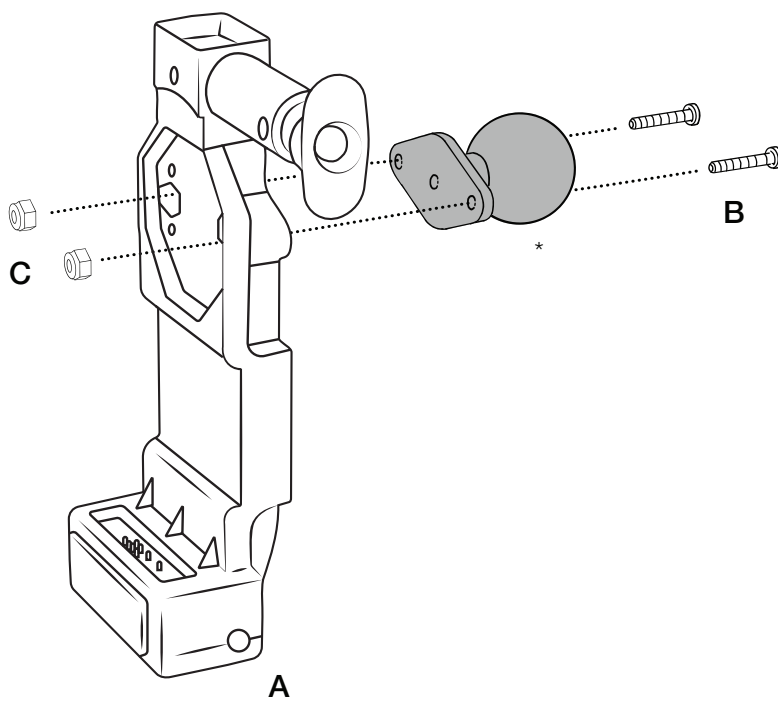


## Part Index

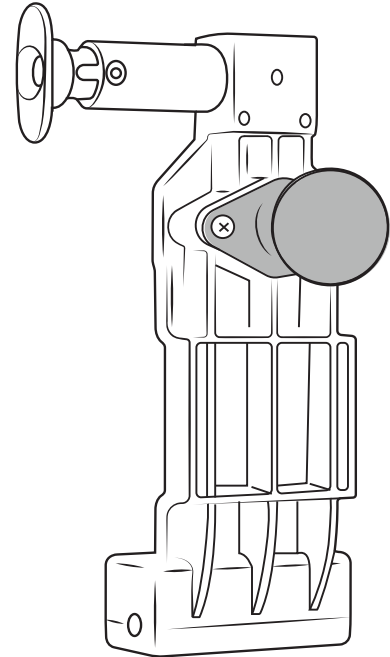
\*not to scale



- 1 Assemble **C size Ball Adapter** with **(A) Uni-Conn™ Dock** using the **(B)** and **(C) Dock Mounting Hardware Pack**.



Completed Assembly View



\*Gray components not included

RMR-INS-DOCK-U4



### Safety Precaution

Do not install this product near or over an airbag deployment area or in a location that obstructs the driver's vision or interferes with vehicle operation. National Products, Inc does not assume responsibility or liability for any such personal injury, death or property damage.